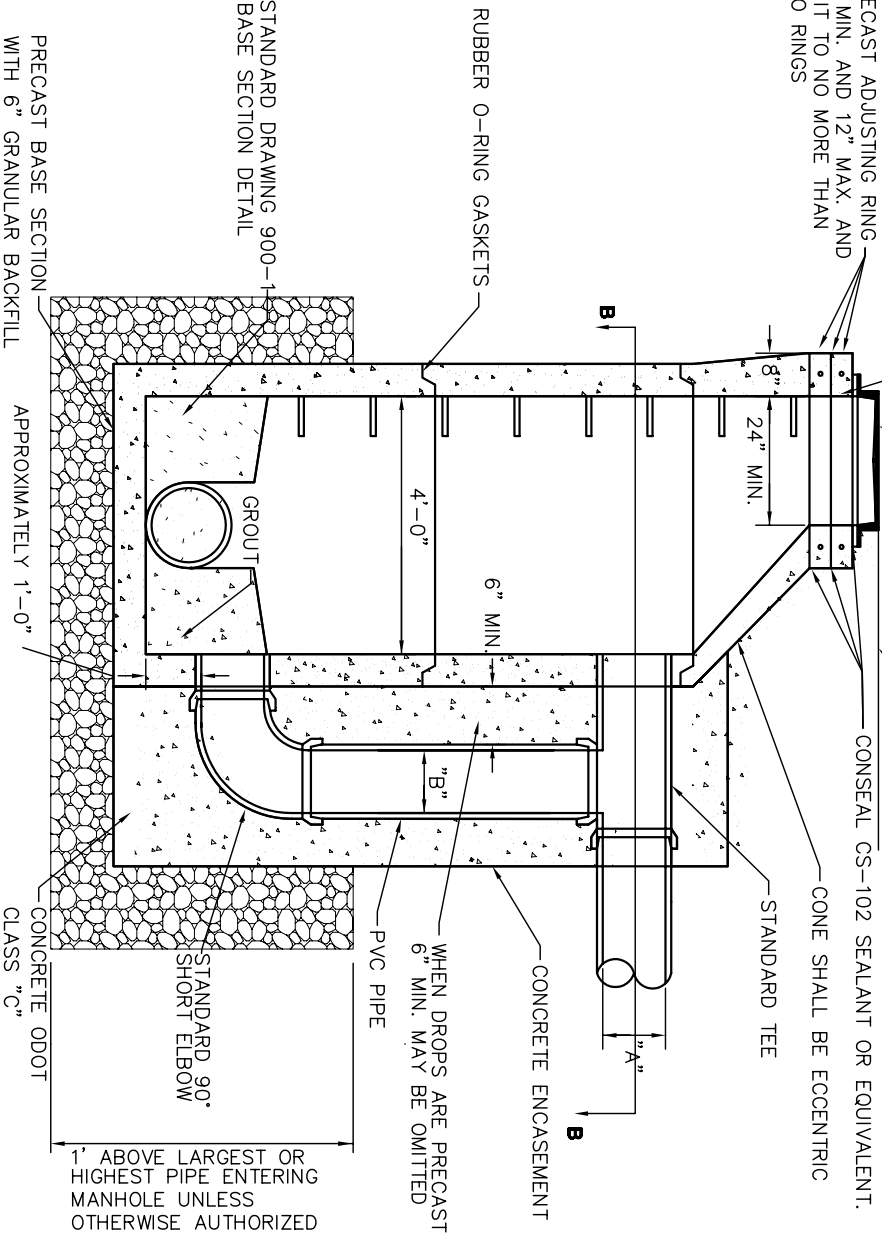


MANHOLE FRAME & LID
(SEE MISC. SANITARY MANHOLE
DETAIL 900-3 FOR CHIMNEY SEAL).
PRECAST ADJUSTING RING
2" MIN. AND 12" MAX. AND
LIMIT TO NO MORE THAN
TWO RINGS

MANHOLE FRAME & LID
PAVEMENT
CONSEAL CS-102 SEALANT OR EQUIVALENT.
CONE SHALL BE ECCENTRIC.

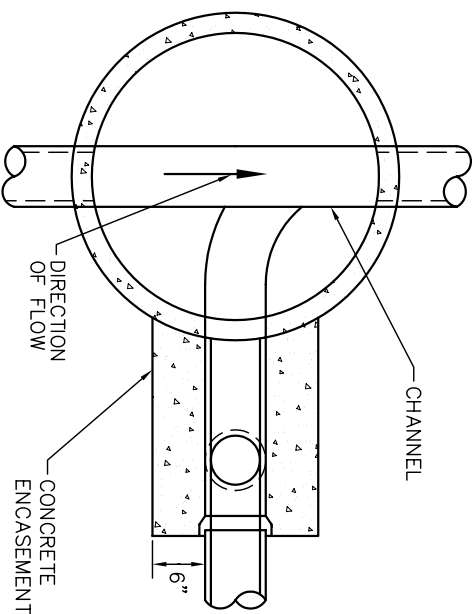


DROP CONNECTION MANHOLE

"A"	"B"
8", 10", & 12"	8"
15" & 18"	10"
21" & 24"	12"

NOTES

- A. LOCATE THE CENTERLINE OF MANHOLE CONES OVER THE CENTERLINE OF THE MAIN SEWER WHENEVER POSSIBLE.
- B. TYPE D MANHOLE SHALL BE USED WHERE THE DIFFERENCE IN INVERT ELEVATIONS IS GREATER THAN 2'-0".
- C. ALL NOTES AND ASTM REFERENCES ON THE TYPE 3 SANITARY MANHOLE APPLY ON THE TYPE D SANITARY DROP MANHOLE.



SECTIONAL PLAN B-B

TYPE D SANITARY DROP MANHOLE