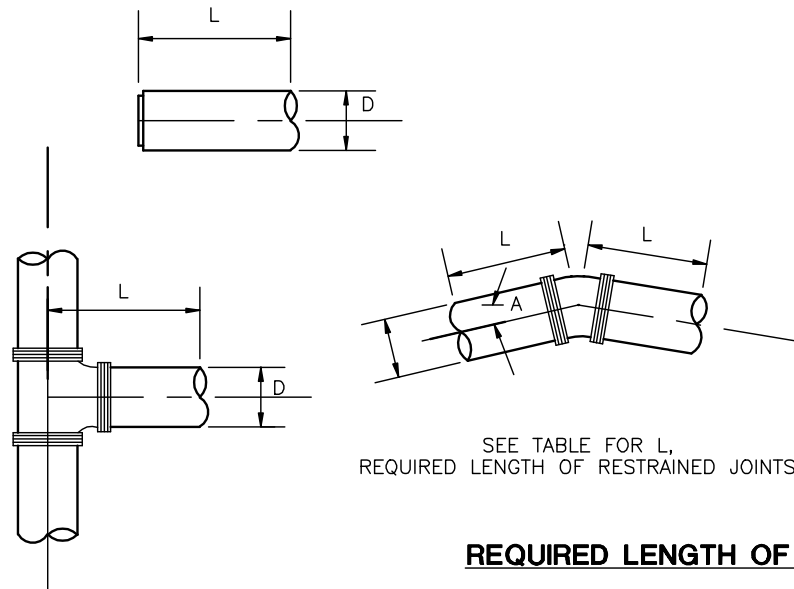


TAPPING SLEEVE AND VALVE DETAIL

NOTES

- A. BELL JOINT RESTRAINTS – SEE SHEET 800-5.
- B. MECHANICAL JOINT RESTRAINTS – SEE SHEET 800-5.
- C. CONTRACTOR TO USE RESTRAINED JOINTS UNLESS THRUST BLOCKING IS PREAPPROVED FOR SPECIAL CONDITIONS BY THE VILLAGE PRIOR TO THE BEGINNING OF CONSTRUCTION.



D-DIAMETER OF PIPE

	4"	6"	8"	10"	12"	16"	20"	24"
11 1/4'	*	*	*	*	*	5	5	6
22 1/2'	*	2	3	5	6	8	10	12
45°	4	8	12	14	20	30	36	45
90°	12	26	38	48	66	98	125	145
TEE	12	26	38	48	66	98	125	145
END	12	26	38	48	66	98	125	145

A ~ DEGREE OF DEFLECTION

*REQUIRED RESTRAINED JOINT AT FITTING AND ONE BELL JOINT FROM FITTING MINIMUM.

DESIGN PARAMETERS

LAYING CONDITIONS – TYPE 5
 SOIL DESIGNATION – SILT
 DEPTH OF COVER – 4'
 DESIGN PRESSURE – 80 PSI
 SAFETY FACTOR – 1.50
 POLYWRAPPED PIPE
 IF WORST CONDITIONS EXIST,
 ADDITIONAL RESTRAINTS WILL BE
 NECESSARY.

REQUIRED LENGTH OF RESTRAINED JOINTS FOR WATER MAINS

VILLAGE OF
ADA



**RESTRAINING JOINTS AND
TAPPING SLEEVE FOR WATER MAINS**

REVISIONS:
10-14-2005
07-20-07
04-09-09

DATE
APPROVED:
MAY 1997

PAGE No.

800-2