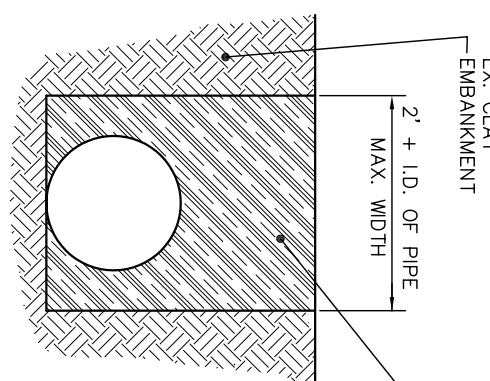
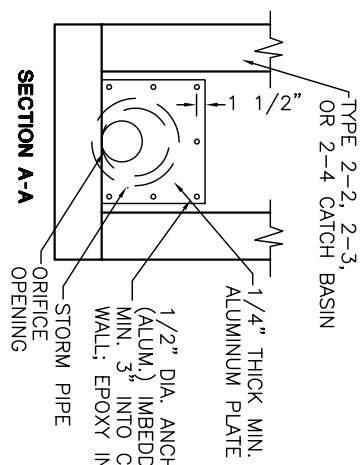


**SEEP COLLAR**

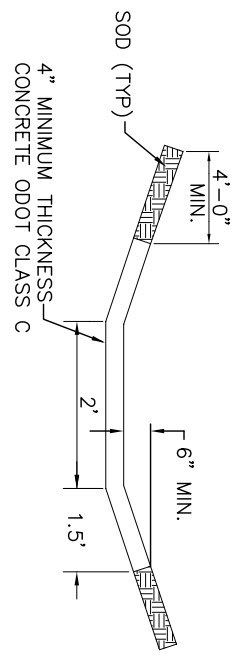
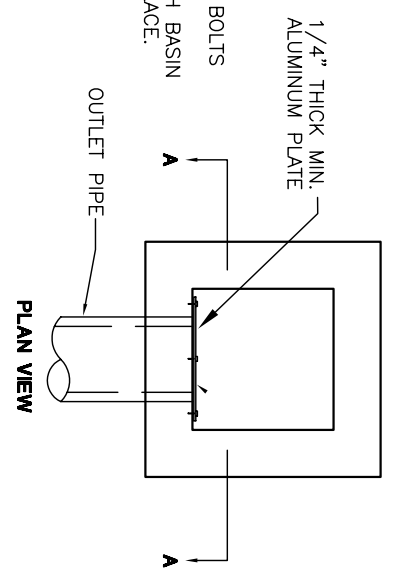


**CLAY TRENCH DETAIL THROUGH DETENTION BASIN**

- NOTES**
- A. EXTRA COMPACTION AND CARE SHALL BE TAKEN TO ENSURE WATER SEALING OF DIKE AND PROPER CLAY BEDDING OF PIPE.
  - B. COMPACTION REQUIREMENTS SHALL BE 95% STANDARD MAXIMUM DRY WEIGHT DENSITY.
  - C. THIS SHALL BE REQUIRED AT ALL PIPES ENTERING OR EXITING THE DETENTION BASIN.
  - D. PAYMENT FOR THESE ITEMS SHALL BE INCIDENTAL TO ITEM 603.



**TENTION OUTLET ORIFICE**



- NOTES**
- A. ANY DETENTION BASINS WITH SLOPES LESS THAN 1% REQUIRE CONCRETE CHANNEL.
  - B. DIFFERENT SHAPE OR SIZE OF CONCRETE CHANNEL MAY BE REQUIRED DEPENDING ON DESIGN.
  - C. ALL WORK SHALL BE DONE IN ACCORDANCE WITH VILLAGE SPECIFICATIONS.
  - D. BOTTOM OF DRAINAGE DITCH SHALL BE FORMED BEFORE PLACING CONCRETE, ALL FORMS SHALL BE SET TO GRADE AND ALIGNMENT.
  - E. TRANSVERSE CONTRACTION JOINTS SHALL BE SPACED AT 10 FOOT INTERVALS. THE GROOVES SHALL BE CUT TO A MINIMUM DEPTH OF 1 INCH.

**PAVED CONCRETE CHANNEL DETAIL**

**DETENTION BASIN DETAILS**