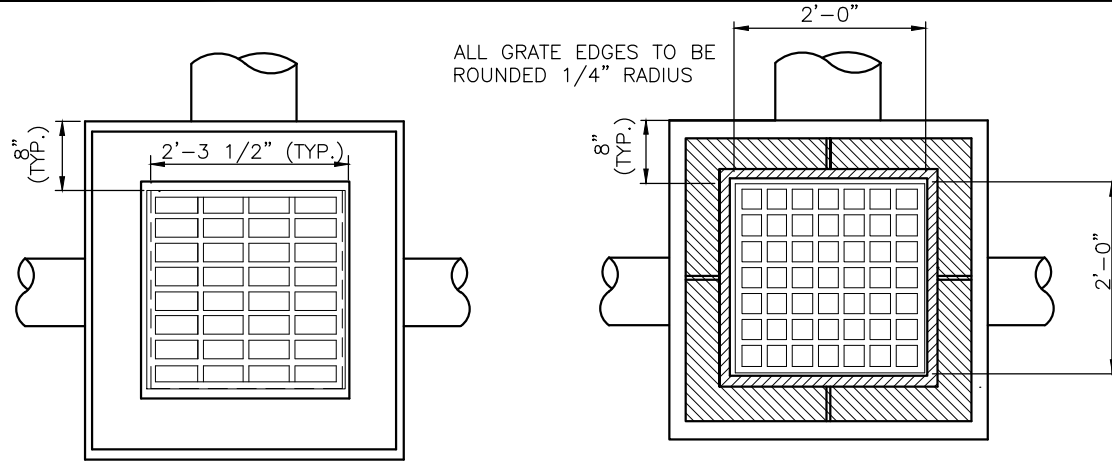
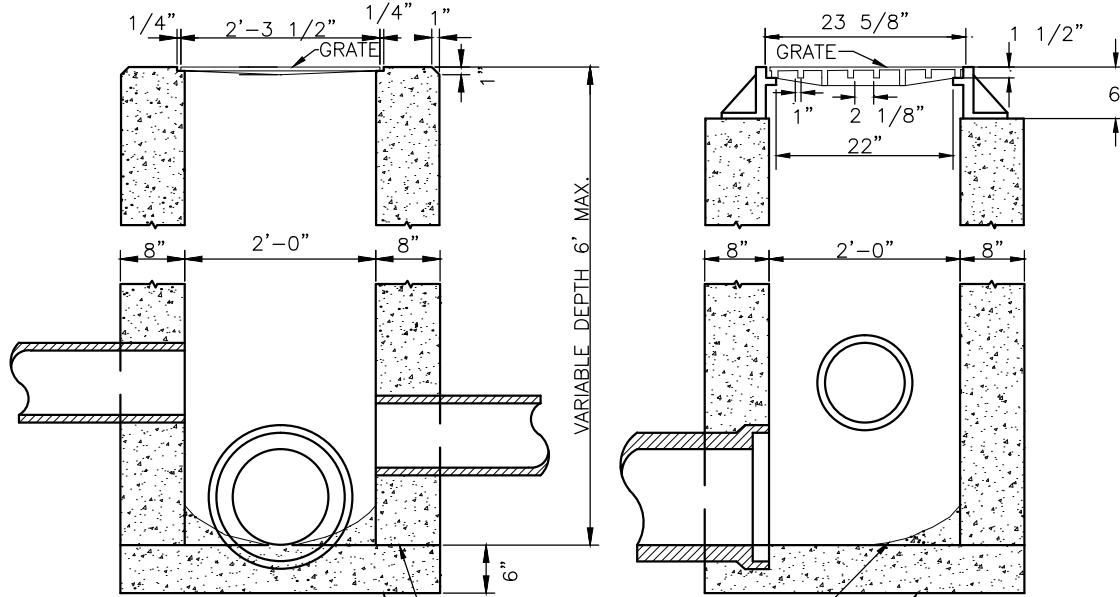


ALL GRATE EDGES TO BE ROUNDED 1/4" RADIUS



PLAN

PLAN



NONPAVED AREAS

PAVED AREAS

BOTTOM SLAB MAY BE CAST SEPARATELY AND THE OUTLET PIPE PLACED ON TOP OF IT WITH THE BOTTOM SHAPED TO DRAIN.

2-2-B CATCH BASIN NOTES

A. LOCATION AND ELEVATIONS WHEN GIVEN ON THE PLANS IS TOP CENTER OF THE GRATE. WHEN SIDE OPENINGS ARE PROVIDED, ELEVATION SHALL BE THE FLOW LINE OF THE SIDE INLET.

B. GRATE FOR NONPAVED AREAS SHALL BE EAST JORDAN IRON WORKS 5110 TYPE M3 OR NEENAH CATALOG NO. R-4859-C OR EQUIVALENT.

C. GRATE ELEVATION TO BE PLACED 4" TO 6" BELOW NORMAL DITCH RETURNING TO NORMAL 10' EACH SIDE OF BASIN.

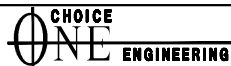
D. CONCRETE, CAST-IN-PLACE, TO BE CLASS C. ALL PRECAST CONCRETE SHALL MEET THE REQUIREMENTS OF 706.13 WITH 6 ± 2% AIR VOID CONTENT IN THE HARDENED CONCRETE AND BE MARKED WITH CATCH BASIN NUMBER. OPENINGS FOR PIPES SHALL BE O.D. +2" WHEN FABRICATED OR FIELD CUT.

E. CATCH BASINS NOT PERMITTED IN PAVEMENT AREAS UNLESS USING A FRAME AND GRATE EQUIVALENT OF NEENAH CATALOG NO. R-3405 OR EAST JORDAN IRON WORKS NO. 5250.

F. FOR PIPES OVER 18" REFER TO ODOT CATCH BASIN 2-3 AND 2-4. FOR SIDE INLETS REFER TO ODOT CATCH BASIN 2-2-A.

G. PIPE PENETRATIONS SHALL BE CUT WITH A CORE DRILL OR CAST IN PLACE WHILE CASTING CONCRETE BASIN. PIPE TO INTRUDE INTO CATCH BASIN 1" AND PIPE MUST BE CUT PARALLEL TO CATCH BASIN. ALL PIPES SHALL BE SEALED AND CONNECTED PER DETAIL 600-15.

VILLAGE OF ADA



TYPE 2-2-B CATCH BASIN

REVISIONS:
NOV. 2004
NOV. 2011

DATE APPROVED:
MAY 1997

PAGE No.

600-2