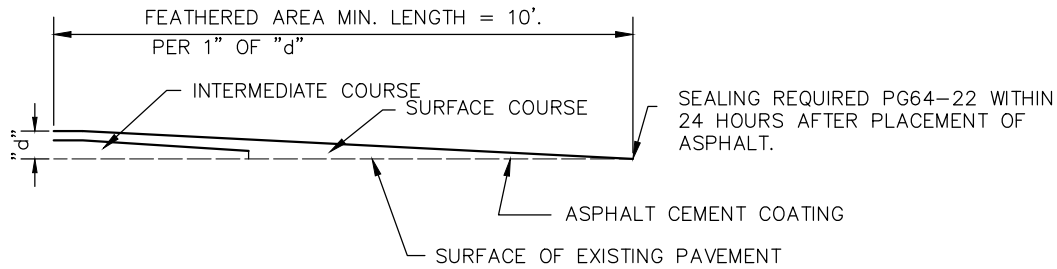
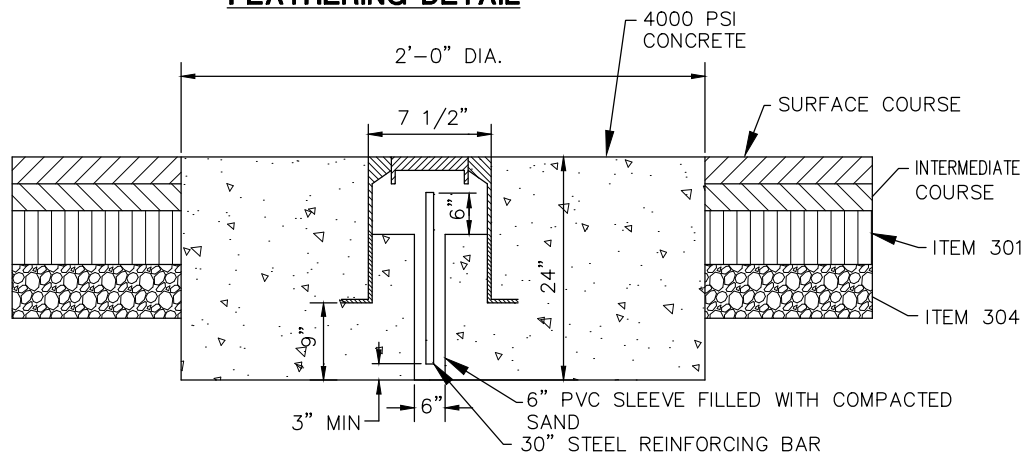


BUTT JOINT DETAIL



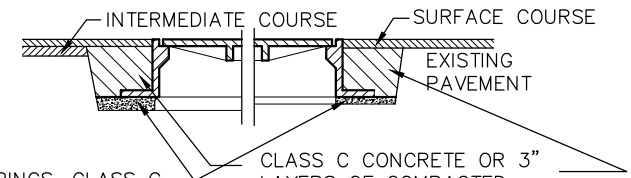
FEATHERING DETAIL



SURVEY MONUMENT BOX DETAIL

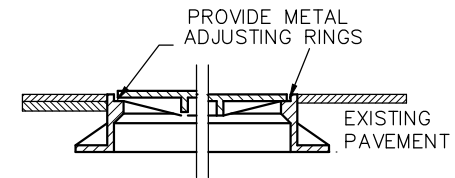
- A.** MONUMENT BOXES SHALL BE SET AT ALL STREET INTERSECTIONS AND P.I.'S OF TANGENT LINES OF ALL CURVES. IF A MONUMENT BOX CANNOT BE SET FOR A P.I. IN THE PAVEMENT AREA, BOXES MUST THEN BE SET ON THE P.C. AND P.T. OF A CURVE.
- B.** MONUMENT BOXES SHALL BE SET AFTER THE LAYING OF ODOT ITEM 448 SURFACE COUSE UNLESS OTHERWISE PREAPPROVED.
- C.** MONUMENT ASSEMBLIES SHALL BE NEENAH R-1978-A2 OR EAST JORDAN 8375 OR APPROVED EQUAL.
- D.** MONUMENT BOXES SHALL MEET THE REQUIREMENTS OF ODOT ITEM 604 UNLESS OTHERWISE SPECIFIED WITHIN.

MANHOLES ADJUSTED TO GRADE FOR OVERLAYS



GRADE RINGS, CLASS C CONCRETE OR MORTAR. MAX. MORTAR THICKNESS 1 1/2".
 CLASS C CONCRETE OR 3" LAYERS OF COMPACTED ASPHALT CONCRETE.

USING CONCRETE OR MORTAR



USING METAL ADJUSTING RINGS

NOTES

METAL ADJUSTING RINGS SHALL:

- A.** ATTACH SECURELY TO THE EXISTING FRAME BY WELDING OR MECHANICAL DEVICES.
- B.** CONSIST EITHER OF CAST METAL HAVING AN INTEGRAL RIM AND SEAT, OR BE FABRICATED METAL WITH A STURDY CONNECTION BETWEEN THE SEAT AND RIM.
- C.** PROVIDE AN EVEN SEAT FOR THE MANHOLE COVER.
- D.** SHALL BE TYPE DESIGN ACCEPTABLE TO THE VILLAGE.
- E.** ANY INSTALLATION UNACCEPTABLE TO THE VILLAGE SHALL BE REPLACED BY THE CONTRACTOR AT HIS EXPENSE.
- F.** MANHOLE FRAMES AND CHIMNEYS TO BE INSTALLED PER SHEET 500-7, 500-8, AND 500-9 UNLESS OTHERWISE APPROVED.

VILLAGE OF
ADA



ASPHALT OVERLAY AND MONUMENT

REVISIONS:
AUG. 1999
NOV. 2011

DATE
APPROVED:
MAY 1997

PAGE No.

300-13