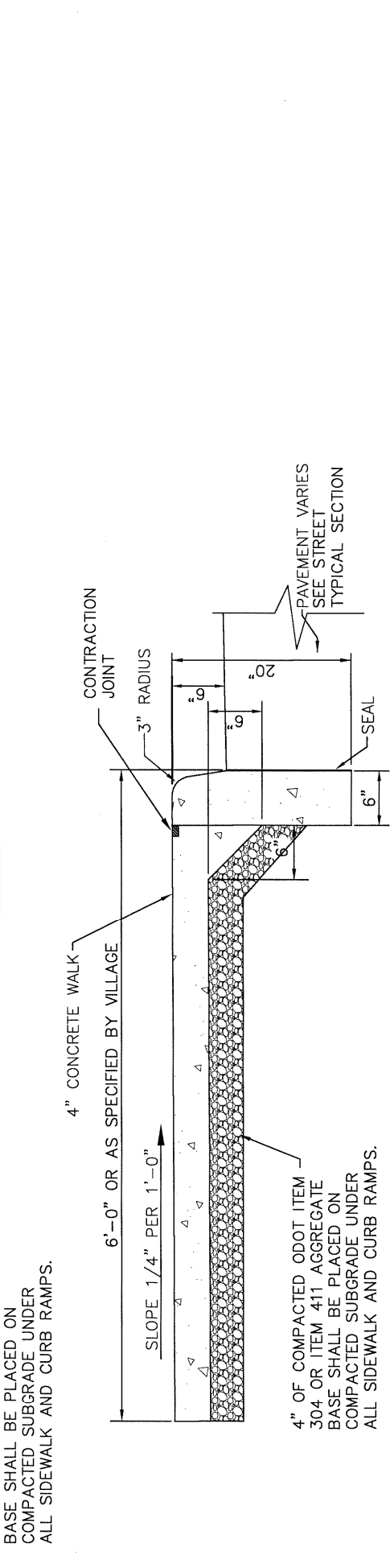


**SECTION A-A**



**COMBINED CURB AND SIDEWALK DETAIL**

**CONCRETE SIDEWALK DETAIL**